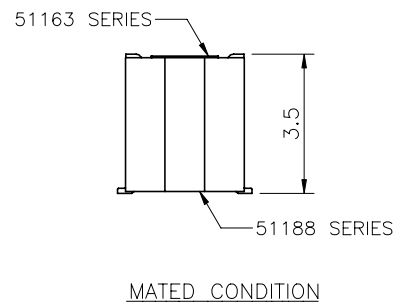
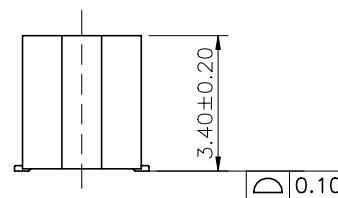


RECOMMENDED PCB LAYOUT
GENERAL TOLERANCE ±0.05

NOTES:

1. MATERIAL:
 - 1.1 HOUSING: THERMOPLASTIC, HIGH TEMP., UL94V-0. COLOR: BLACK.
 - 1.2 CONTACT: COPPER ALLOY.
2. FINISH:
 - 2.1 CONTACT:
 - 50~100u" NICKEL UNDERPLATING OVERALL.
 - 1: GOLD FLASH PLATING ON CONTACT AREA.
 - 2.2 SOLDER:
 - 50~100u" NICKEL UNDERPLATING OVERALL.
 - 1: GOLD FLASH PLATING ON SOLDER TAILS.
3. REFLOW SOLDER CAPABLE TO 260°C PER ACES SPEC.
4. SPEC. PLS REFER TO PS-51162-XXXX-XXX
5. PACKAGE PLS REFER TO 51188-XXXX-XX-TRP
6. PART NUMBER

51188-XXX		X	X-XXX	001: NONE
CKTS				
PACKING			PLATING	
0: TAPE & REEL			1: GOLD FLASH ON CONTACT AREA	



CKTS	DIM A	DIM B
30	5.60	8.60
40	7.60	10.60
50	9.60	12.60
60	11.60	14.60

QUALITY SYMBOLS MAJOR CRITICAL	DRAWN BY GUOFEI	DATE 22/01/18		TITLE 0.4mm PITCH BTB RCPT CONN. SMT D/T TYPE
	GENERAL TOLERANCES (UNLESS SPECIFIED) X ±0.5 X ±0.25 .XX ±0.15 .XXX ±0.1 ANGLES ±2°	CHECKED BY BRAVE		
	APPROVED BY BRAVE	DATE 22/01/18	UNITS mm	SIZE A4
	SCALE 1:1	SHEET NO. 1 OF 1	REV A	DWG NO. 51188-XXXX-XXX
				SEE NOTES